

Ersatzteilliste
Spare parts list
Liste des pièces de rechange



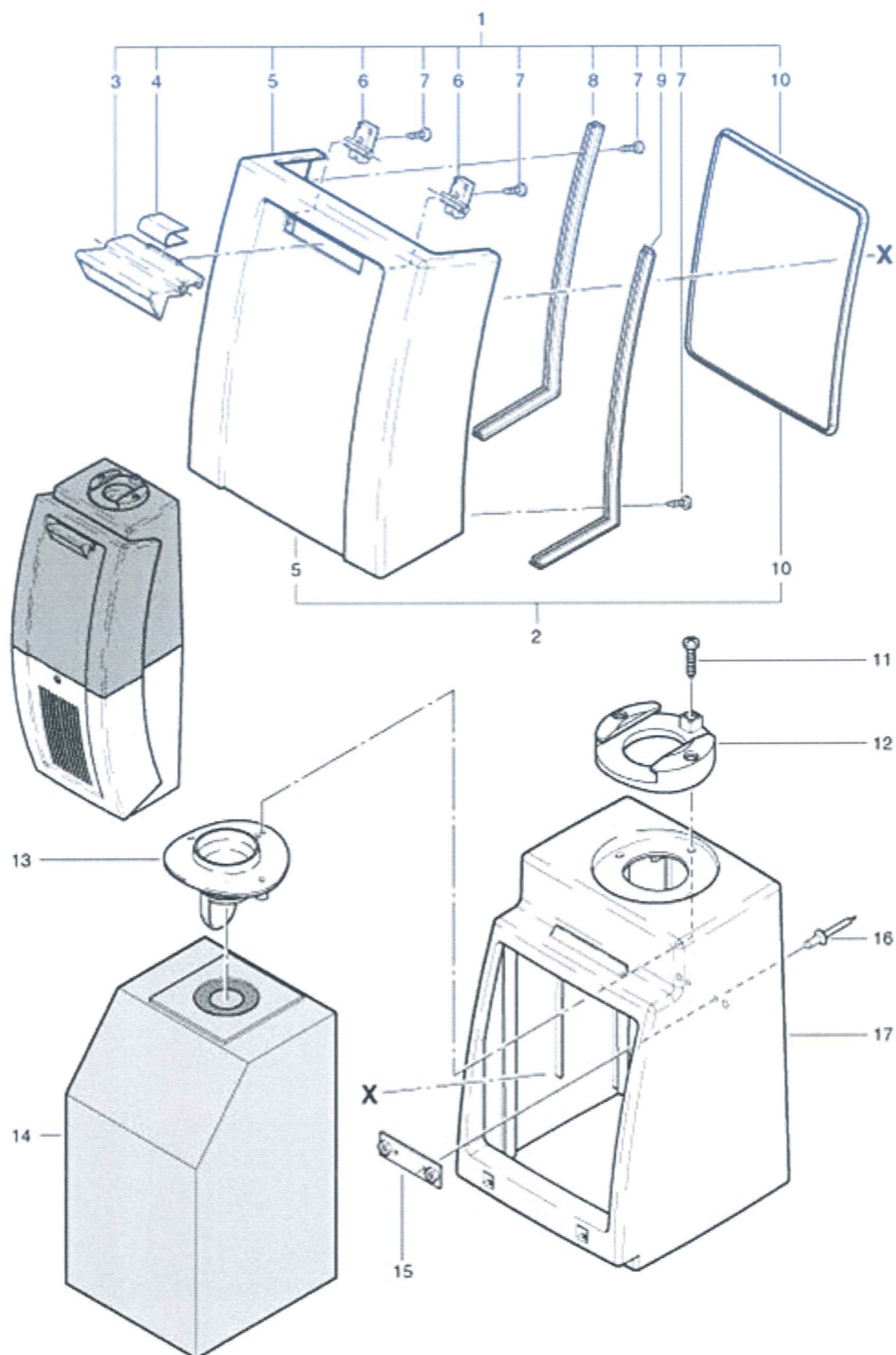
RS 05

Rucksacksauger
Back vac
Aspirateur dorsal



RS 05
Upper cover

As at: 06/27/11 Time:12:32



RS 05

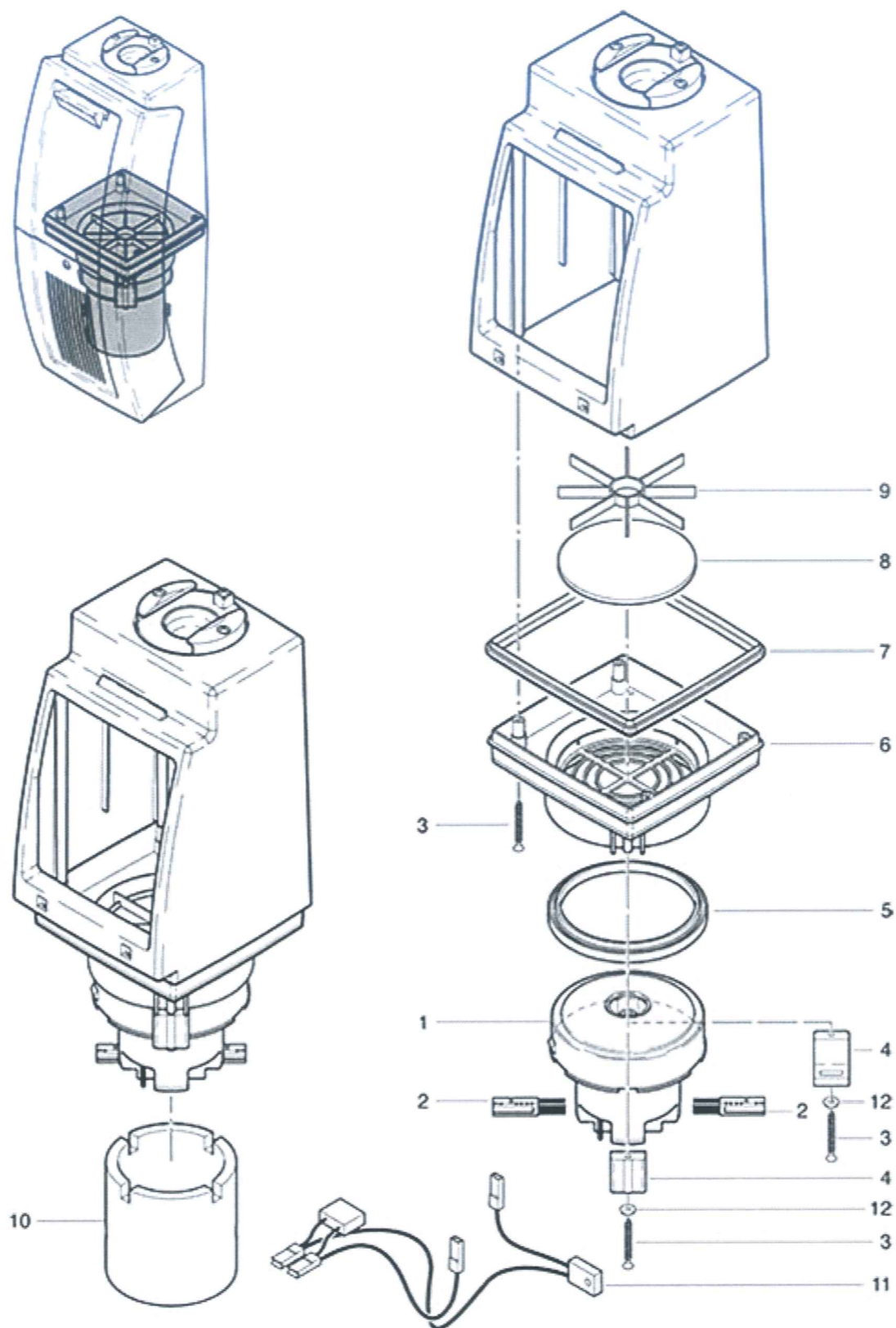
Upper cover

As at: 06/27/11 Time:12:32

| Pos. | Description | Reference |
|-------------|--|------------------|
| 01 | Dust-cover complet Pos. 3 - 10 | 025.111 |
| 02 | Filter-cover pre-assembled Pos. 5 + 10 | 025.110 A |
| 03 | Cover-handle | 025.103 |
| 04 | Spring | 025.106 |
| 05 | Dust-cover | 025.109 |
| 06 | Bracket | 025.112 |
| 07 | PT-screw KA 30x16 | P...516 F |
| 08 | Corner-pice left | 025.115 |
| 09 | Corner-pice right | 025.119 |
| 10 | Dust-cover seal | 025.124 |
| 11 | PT screw KA 50 x 35 | P...515 N |
| 12 | Tank connection | 4012234 |
| 13 | Saffle | 025.133 |
| 14 | Packet of 5 dustbags | 025.430 |
| 15 | Thread plate | 025.139 |
| 16 | Blind rivet 3.2 x 16 | P...485 |
| 17 | Upper cover | 025.145 |

RS 05
Vacuum motor

As at: 06/27/11 Time:12:31



RS 05

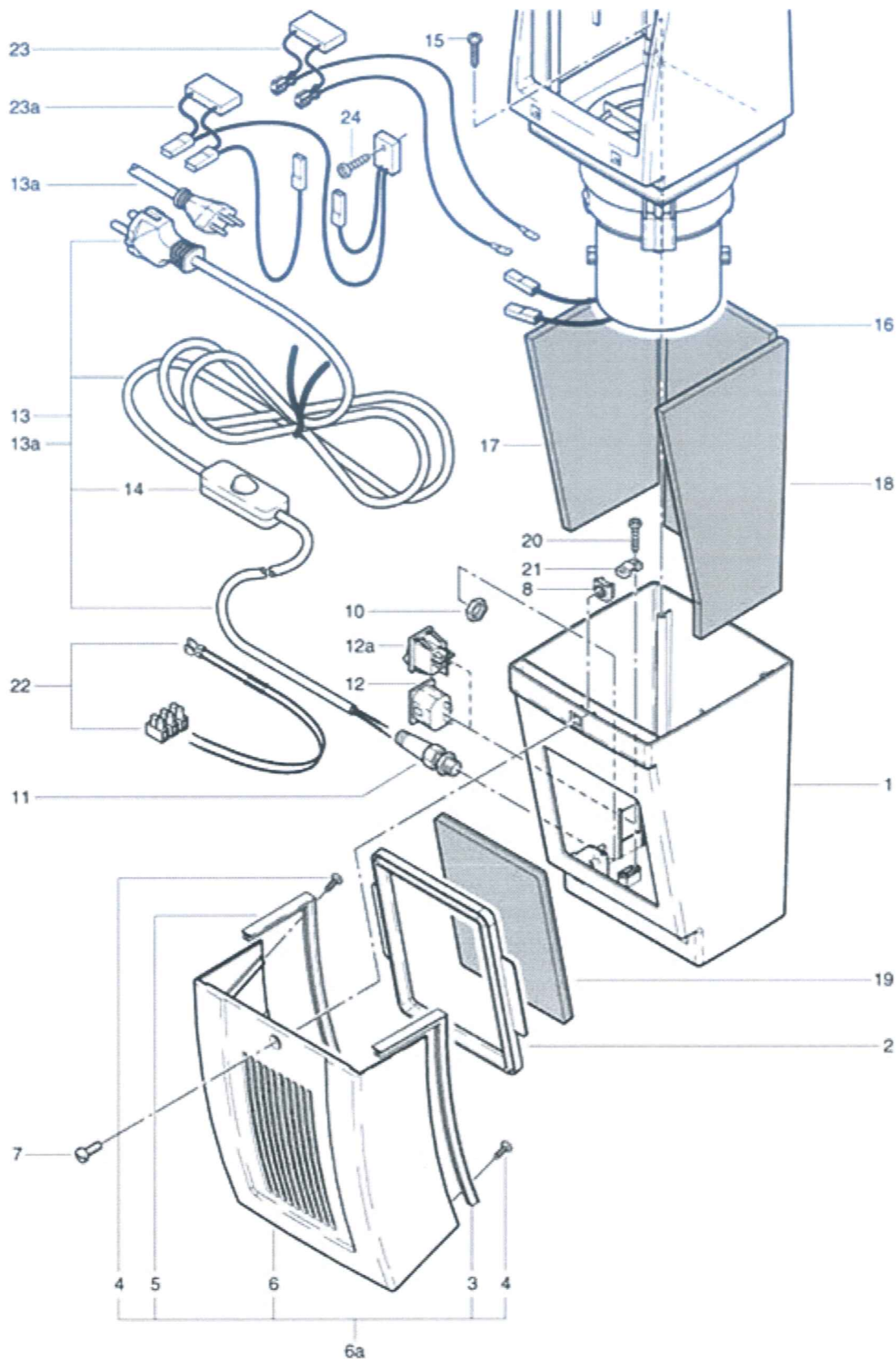
Vacuum motor

As at: 06/27/11 Time:12:31

| Pos. | Description | Reference |
|-------------|--|------------------|
| 01 | Vacuum motor | 025.260 |
| 02 | Carbon brushes | P...872 A |
| 03 | Screw SPAX 4,5x60 | P...515 K |
| 04 | Holder | 025.259 |
| 05 | Motor seal | 025.268 |
| 06 | Motor support | 025.265 |
| 07 | Motor support seal | 025.269 |
| 08 | Motor filter | 025.271 |
| 09 | Distance cross | 025.274 |
| 10 | Isolation innside | 025.277 |
| 11 | Cable tree with capacitor, Temperature control | 025.143 |
| 12 | Disc DIN 17670 M 5 5,3/16/2,8 | P...500 U |

RS 05
Lower cover

As at: 06/27/11 Time:12:32



RS 05

Lower cover

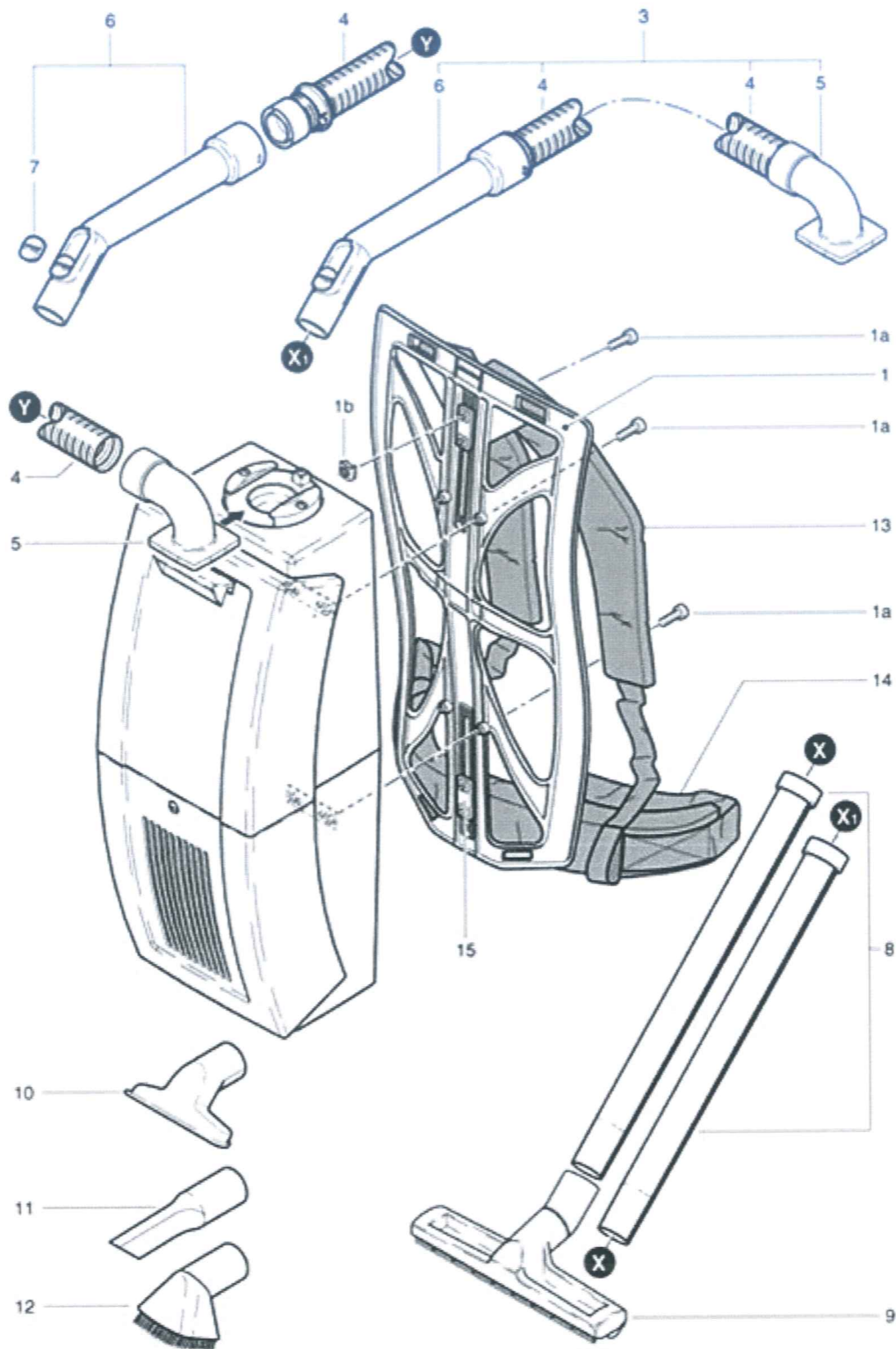
As at: 06/27/11 Time:12:32

| Pos. | Description | Reference |
|------|--|-----------|
| 01 | Lower cover | 025.244 |
| 02 | Filter cover seal | 025.203 |
| 03 | Corner pice left | 025.115 |
| 04 | PT-screw KA 30x16 | P...516 F |
| 05 | Corner pice right | 025.119 |
| 06 | Filter cover | 025.241 |
| 06a | Filter-cover pre-assembled Pos. 3 - 6 | 025.242 |
| 07 | Srew pan Head 5x16 | P..480 R |
| 08 | Spez. Nut M 5 | P...494 P |
| 10 | Counter nut PG9 | P...279 H |
| 11 | Cable protection | P...279 K |
| 12 | Plug socketup to machine no. 8522 | P...380 C |
| 12a | Tumbler switchbeg.machine no. 8523 001 | P...240 F |
| 13 | Electrical connection VDEup to machine no. 8522with switch | 025.233 |
| 13 | Electrical connection VDEbeg. machine no. 8523 001 | 025.234 |
| 13a | Electrical connection SEVbeg. machine no. 8523 001 | 025.235 |
| 13a | Electrical connection SEVup to machine no. 8522with switch | 025.236 |
| 14 | Tumbler switchup to machine no. 8522 | 025.239 |
| 15 | PT-screw KA 40x20 Torx | P...517 E |
| 16 | Noise absorbing sheet | 025.230 |
| 17 | Noise absorbing sheet left | 025.227 |
| 18 | Noise absorbing sheet right | 025.224 |
| 19 | Filter mat, fine | 780.921 |
| 19 | Filter mat, rough | 025.221 |
| 20 | PT-srew KA 50x18 | P...516 Q |
| 21 | Cable clamp | 4611085 |
| 22 | Cable block 3-ways | 025.210 |
| 23 | Cable tree with capacitorup to machine no. 8522 | 012.143 |
| 23a | Temperature controlbeg. machine no. 8523 001 | 025.143 |
| 24 | PT-srew KA 40x16 | P...516 C |

RS 05

Back carrying frame and Suction set

As at: 06/27/11 Time:12:32



RS 05

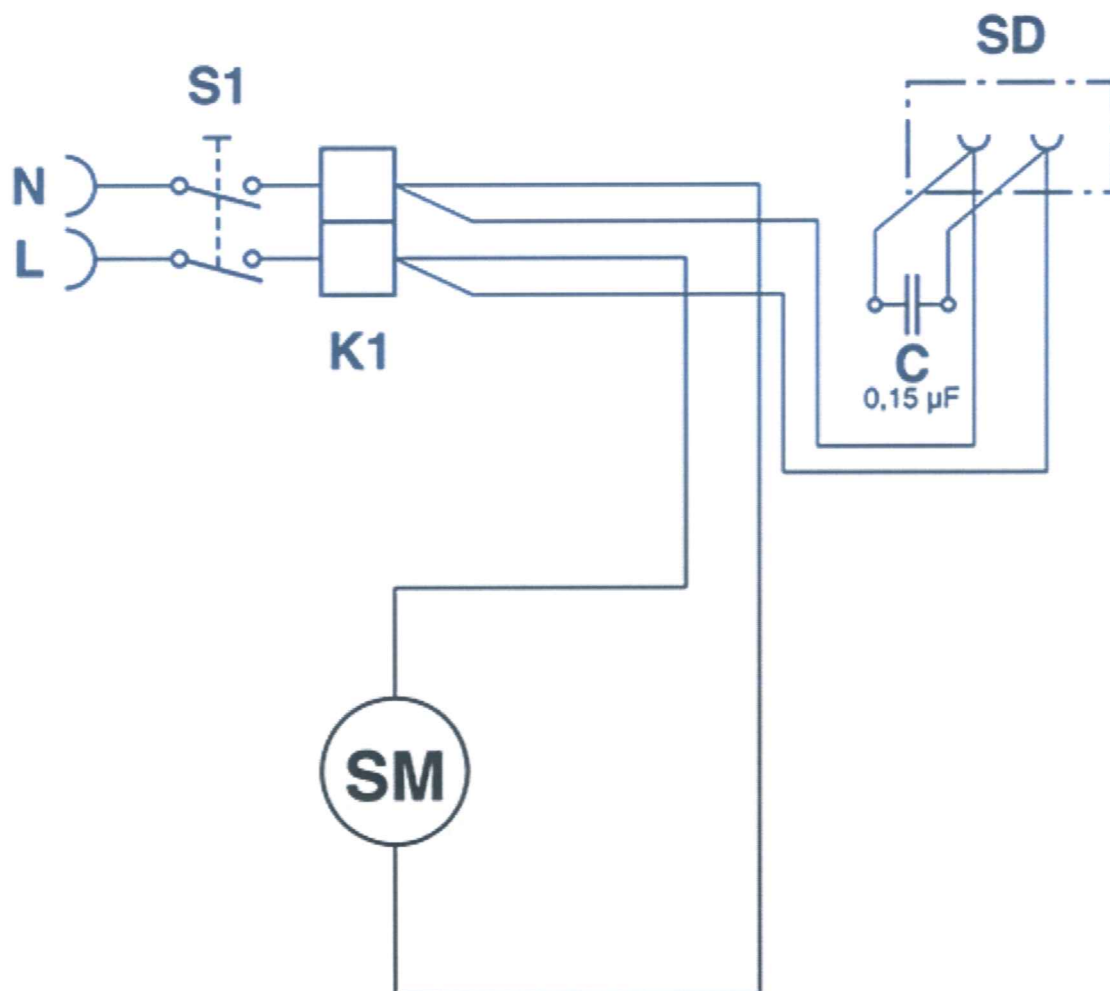
Back carrying frame and Suction set

As at: 06/27/11 Time:12:32

| Pos. | Description | Reference |
|------|---|-----------|
| 01 | Back carrying frame compl. including items 01a, 01b, 13, 14 | 025.150 |
| 01a | Screw M 5x16 | P...480 R |
| 01b | Nut M 5 | P...494S |
| 03 | Suction hose complete, including items 4-7 | 025.050 |
| 04 | Suction hose 1,5 m | 025.074 |
| 05 | Hose end connector | 025.071 |
| 06 | Toolhandle compl. | 900.670 |
| 07 | Slide | P...581 B |
| 08 | Stainless steal tube | 645.002 |
| 09 | Floor tool | 646.200 |
| 10 | Upholstery tool | 645.004 |
| 11 | Crevice tool | 645.006 |
| 12 | Dropery brush (Optional accessory) | 645.005 |
| 13 | Pair of carriers | 025.151 |
| 14 | Back cushion | 025.152 |
| 15 | Retaining plate | 025.154 |

RS 05
Wiring diagram

As at: 06/27/11 Time:12:31



- K1 = Reihenklemme / Serre-fils / Terminal
- S1 = Schnurwippenschalter bis Masch. Nr. 8522 / Tumbler switch up to machine no. 8522 / Interrupteur à des appareils no. 8522
- SD = Steckdose / Plug socket / Prise
- C = Kondensator 0,15 µF / Capacitor 0,15 µF / Capaciteur 0,15 µF
- SM = Saugmotor / Motor / Moteur

RS 05

Wiring diagram

As at: 06/27/11 Time:12:31

| Pos. | Description | Reference |
|-------------|--------------------------------------|------------------|
| C | Capacitor 0,15 uF | P...393 E |
| K 1 | Cable clamp | P...383 H |
| S 1 | Tumbler switchup to machine no. 8522 | 025.239 |
| SD | Plug socket | P...280 C |
| SM | Motor | P...872 |