

Ersatzteilliste
Spare parts list
Liste des pièces de rechange



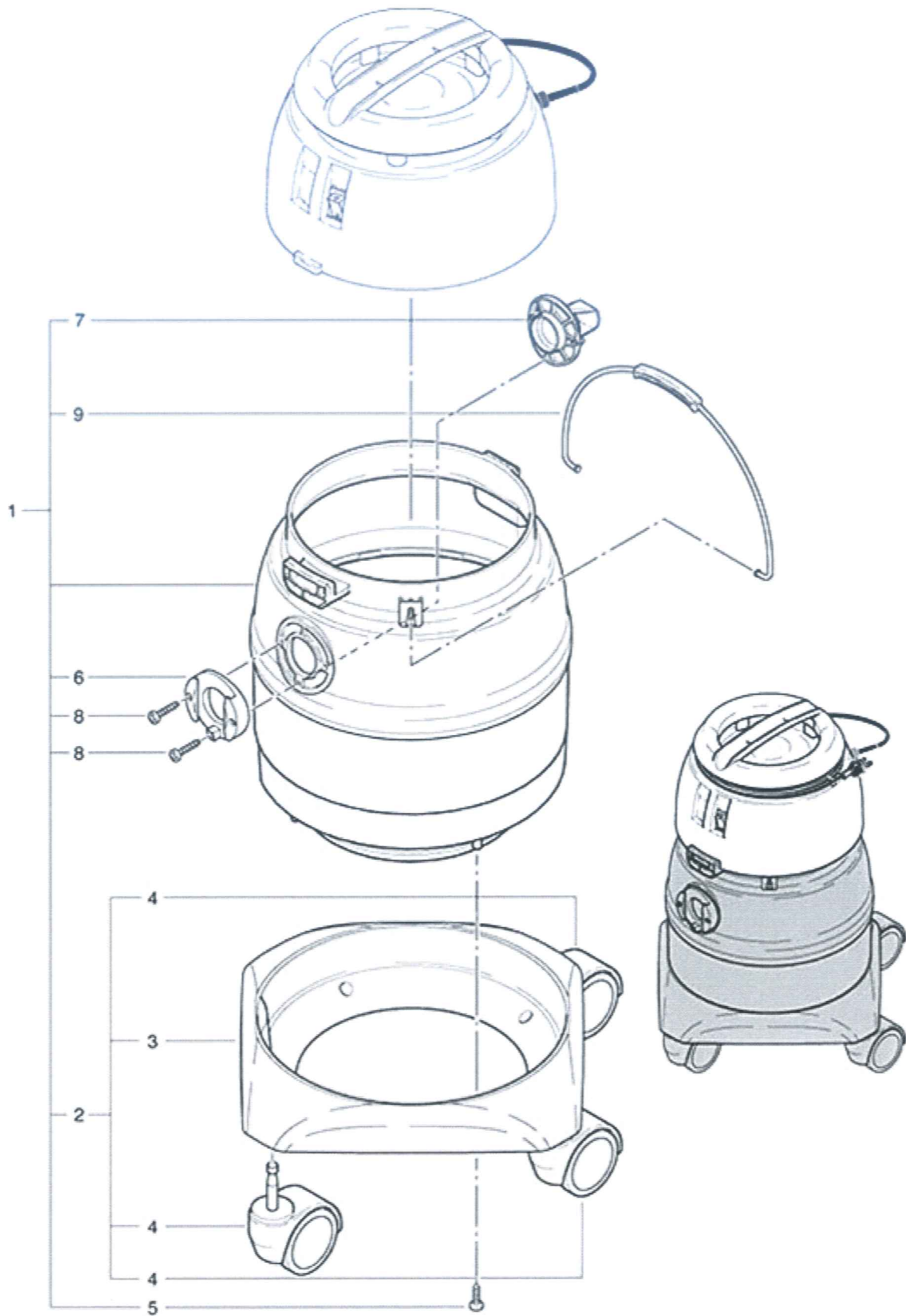
SW 21
Aqua

Nass- und Trockensauger
Wet and dry vacuum cleaner
Aspirateur à poussière et à eau



SW 21 Aqua
Tank connection

As at: 06/27/11 Time:14:05



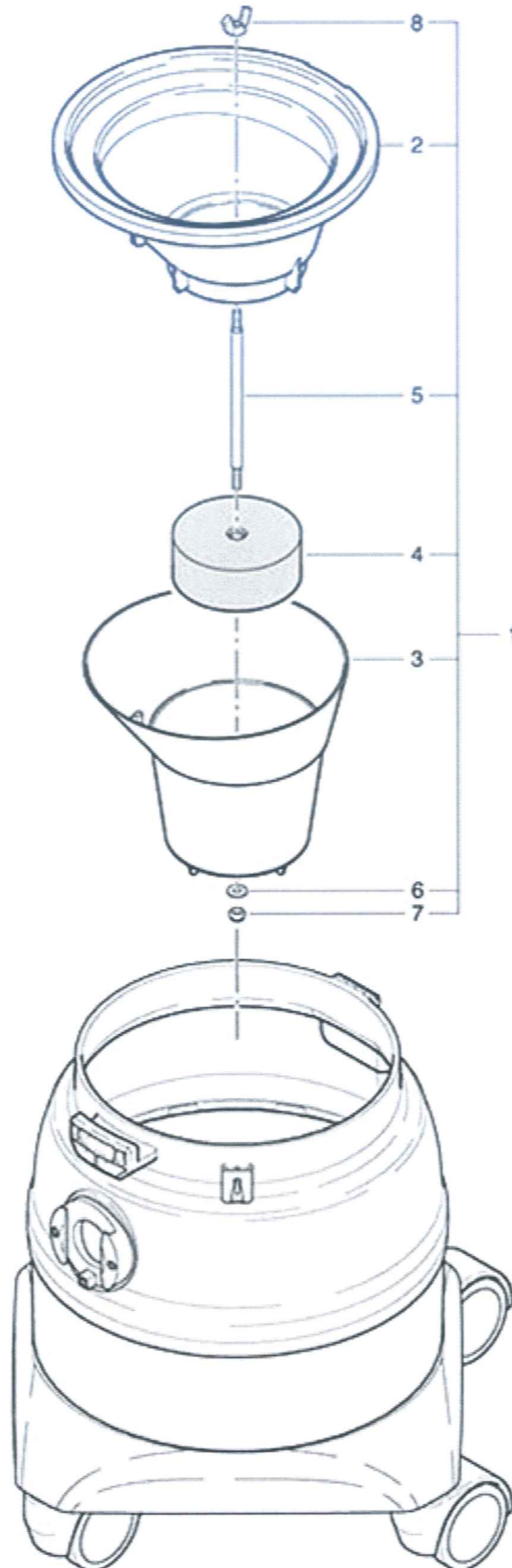
SW 21 Aqua Tank connection

As at: 06/27/11 Time:14:05

Pos.	Description	Reference
01	Tank connection compl. including items 2-9	014.100
02	Car compl. including items 3+4	014.128
03	Car	014.121
04	Swivel castor wheel Ø 75 mm	P...204 G
05	PT screw KA 50x18	P...516 Q
06	Tank connection	4012234
07	Saffle	014.105
08	PT screw KA 50x35	P...515 N
09	Handle	P...009

SW 21 Aqua
Suction application for wet vacuum cleaner

As at: 06/27/11 Time:14:05



SW 21 Aqua

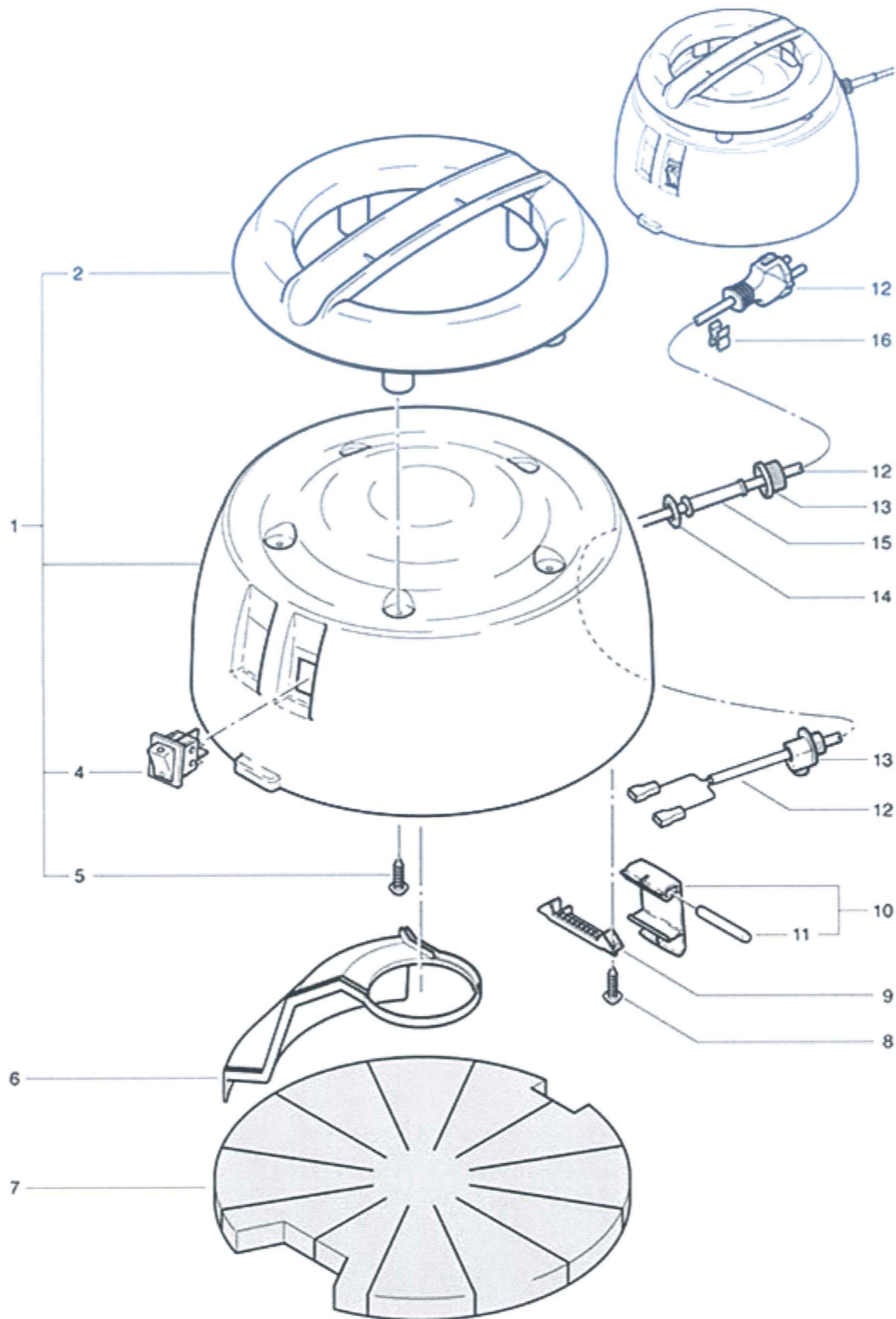
Suction application for wet vacuum cleaner

As at: 06/27/11 Time:14:05

Pos.	Description	Reference
01	Float insert compl. contenant Pos. 2-8	014.600
02	Tank	014.622
03	Cover	014.623
04	Float compl.	014.620
05	Float	014.624
06	Washer M 6	P...497 K
07	Stop nut M 6	P...492 K
08	Wing nut M 6	P...253 L

SW 21 Aqua Dome

As at: 06/27/11 Time:14:07



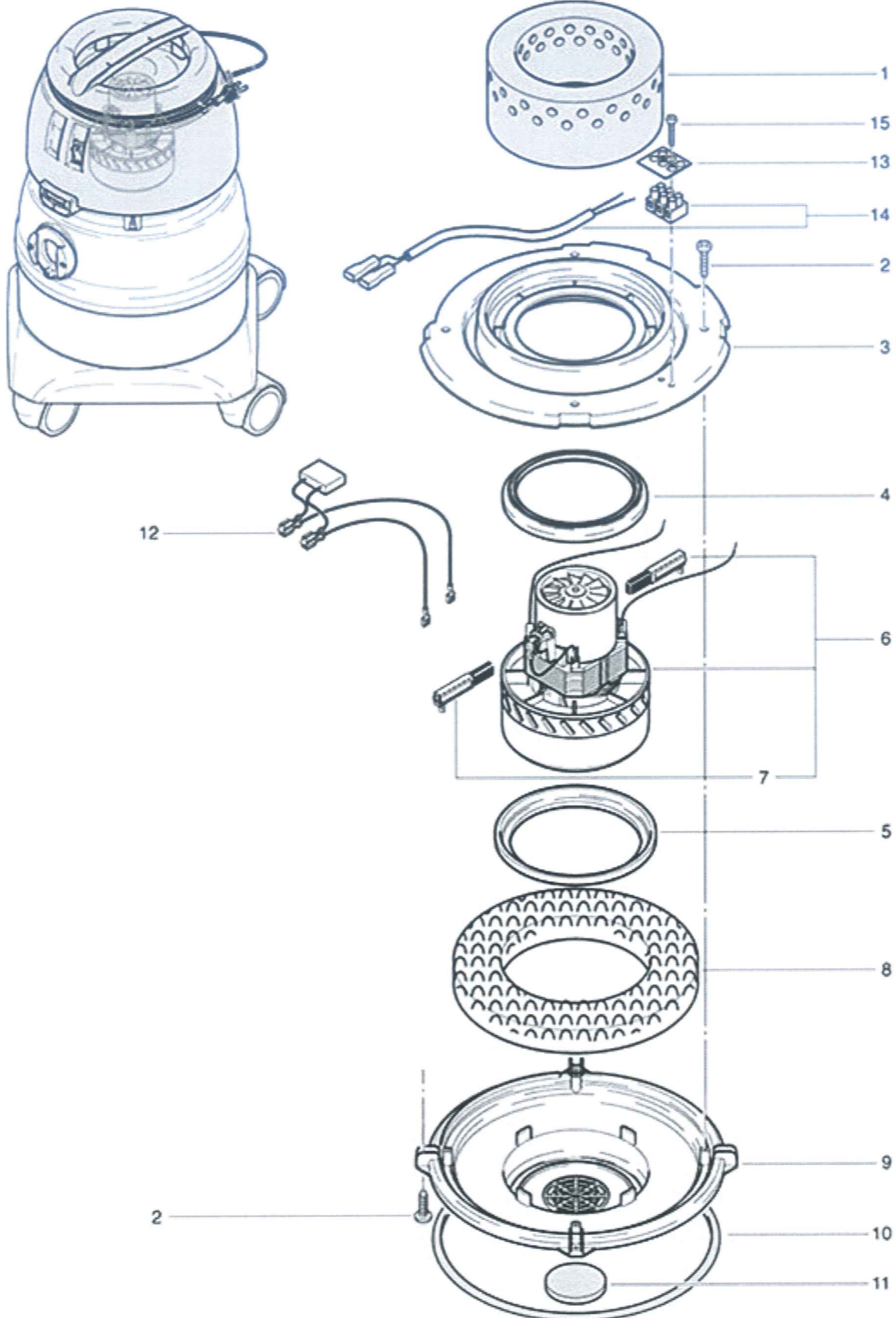
SW 21 Aqua Dome

As at: 06/27/11 Time:14:07

Pos.	Description	Reference
01	Cover in red compl. including items 2-5	021.201
02	Handle	022.112
04	Valve-switch	P...240
05	PT screw KA 40x18	P...516 G
06	Air canal cover	020.213
07	Noise absorber	021.206
08	PT screw KA 30x14	P...516 E
09	Pin hold	022.114
10	Seal lever compl.	022.122
11	Pin	022.115
12	Electrical connection VDE	P...288 A
12	Electrical connection SEV	P...287 A
13	Cable clamp	P...279
14	Conter nut PG 9	P...279 H
15	Cable grommet	P...280
16	Cable clamp	P...278

**SW 21 Aqua
Vacuum motor**

As at: 06/27/11 Time:14:08



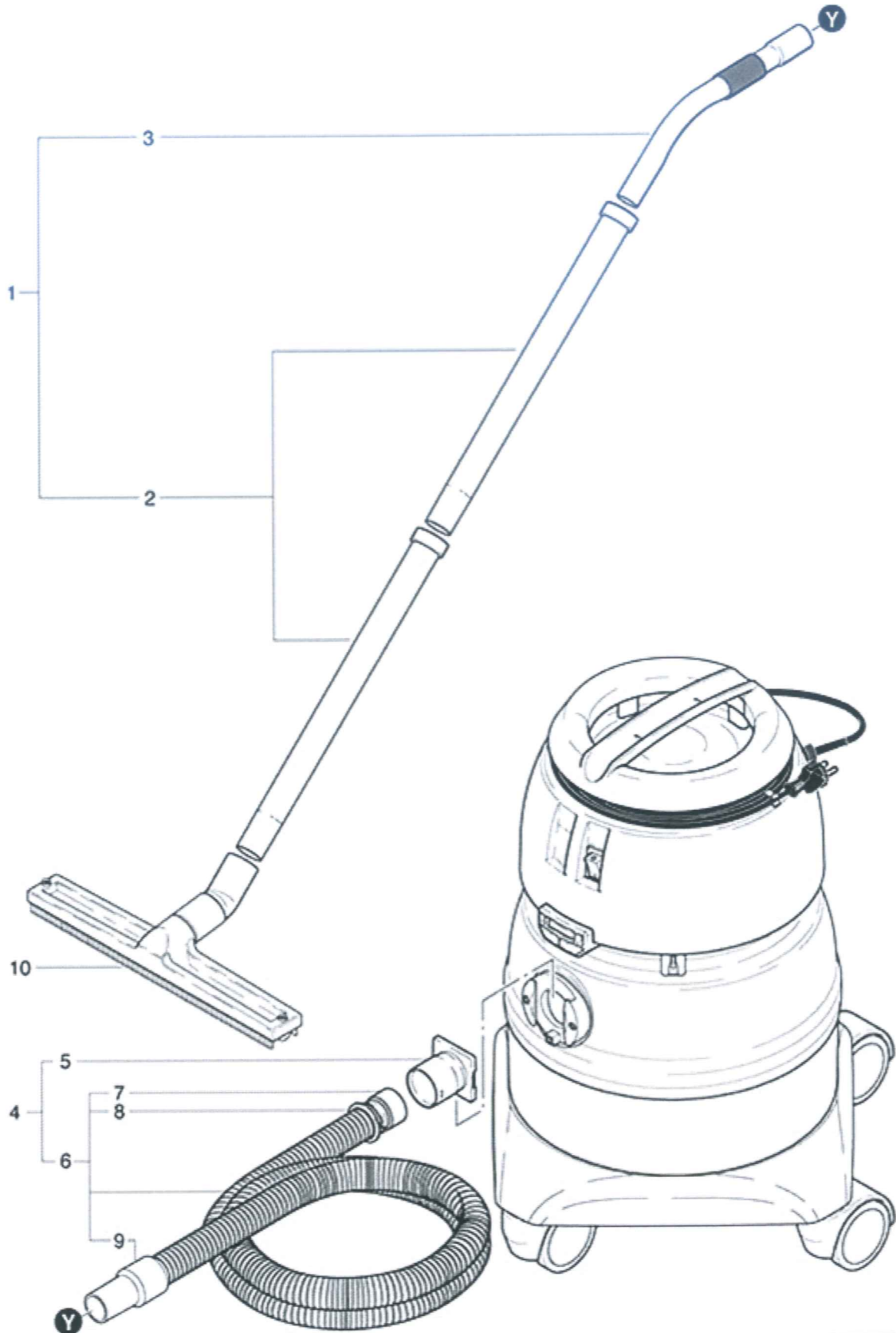
SW 21 Aqua Vacuum motor

As at: 06/27/11 Time:14:08

Pos.	Description	Reference
01	Isolation cap	020.211
02	PT screw KA 40x16	P...516 C
03	Motorplate	020.303
04	Seal for motor	022.133
05	Profile	P...971 H
06	Vacuum motor 230V/50Hz 1000 W	P...870 E
07	Pair of carbon brushes OEP	P...870 KB
08	Isolation ring	020.309
09	Reinforcement piece	020.308
10	Bucket gasket	020.304
11	Engine air cleaner	022.134
12	Motor cable incl. Capacitor	022.143
13	Marking plate	P...390
14	Cable tree with cable clamp	020.307
15	PT screw KA 30x20	P...516 E

SW 21 Aqua
Standard accessoires SW 21 Aqua

As at: 06/27/11 Time:14:04



SW 21 Aqua

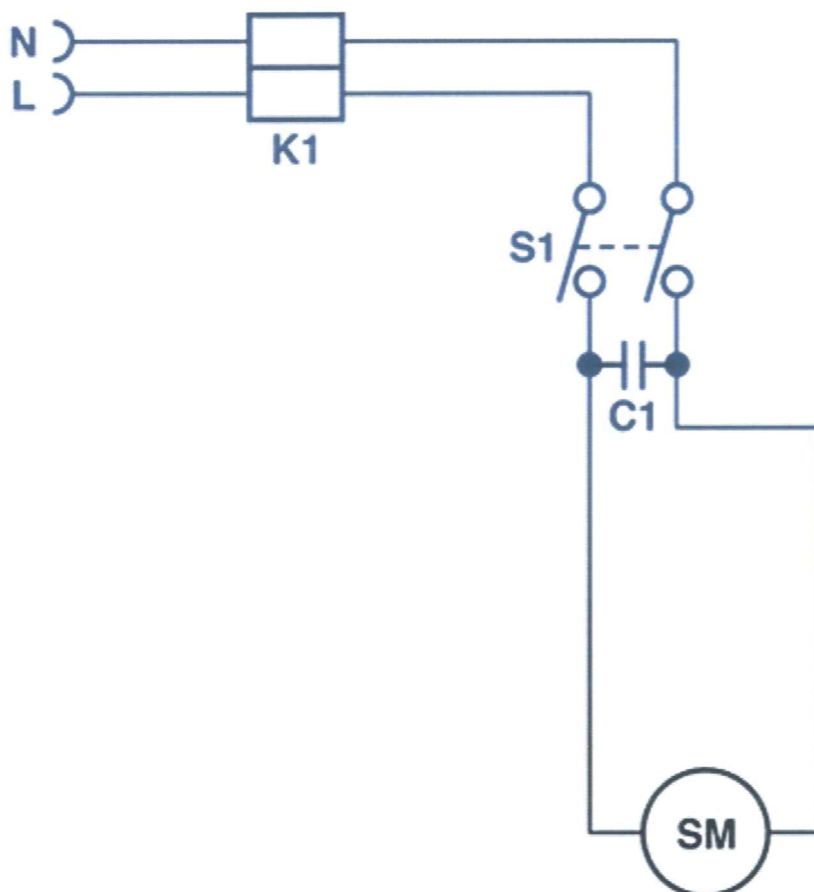
Standard accessoires SW 21 Aqua

As at: 06/27/11 Time:14:04

Pos.	Description	Reference
01	Inox tubes best 38 mm including items 2+3	014.567
02	2 inox tubes	645.002 A
03	Toolhandle Chromed metal	P...584
04	Suction hose 4m Ø 38 compl. including items 5+6	014.569
05	Hose end connector	4011745
06	Hose 4,0 m Ø 38 cpl. including items 7-9	P...589
07	Security ring	6505476
08	Connection ring	6505477
09	Hose end connector black	P...560 C
10	Water suction nozzle 36 cm	646.310

SW 21 Aqua Wiring diagram

As at: 06/27/11 Time:14:07



- K1 = Reihenklemme / Serre-fil / Cable clamp
- S1 = Wippenschalter / Interrupteur / Tumbler switch
- C1 = Kondensator / Condensateur / Capacitor 0.15 F
- SM = Saugmotor / Moteur d'aspiration / Vacuum motor

SW 21 Aqua Wiring diagram

As at: 06/27/11 Time:14:07

Pos.	Description	Reference
C 1	Capacitor 0,15 uF	P...393 E
K1	Cable clamp	P...383 H
S1	Valve-switch	P...240
SM	Vacuum motor 230V/50Hz 1000 W	P...870 E