

Ersatzteilliste
Spare parts list
Liste des pièces de rechange



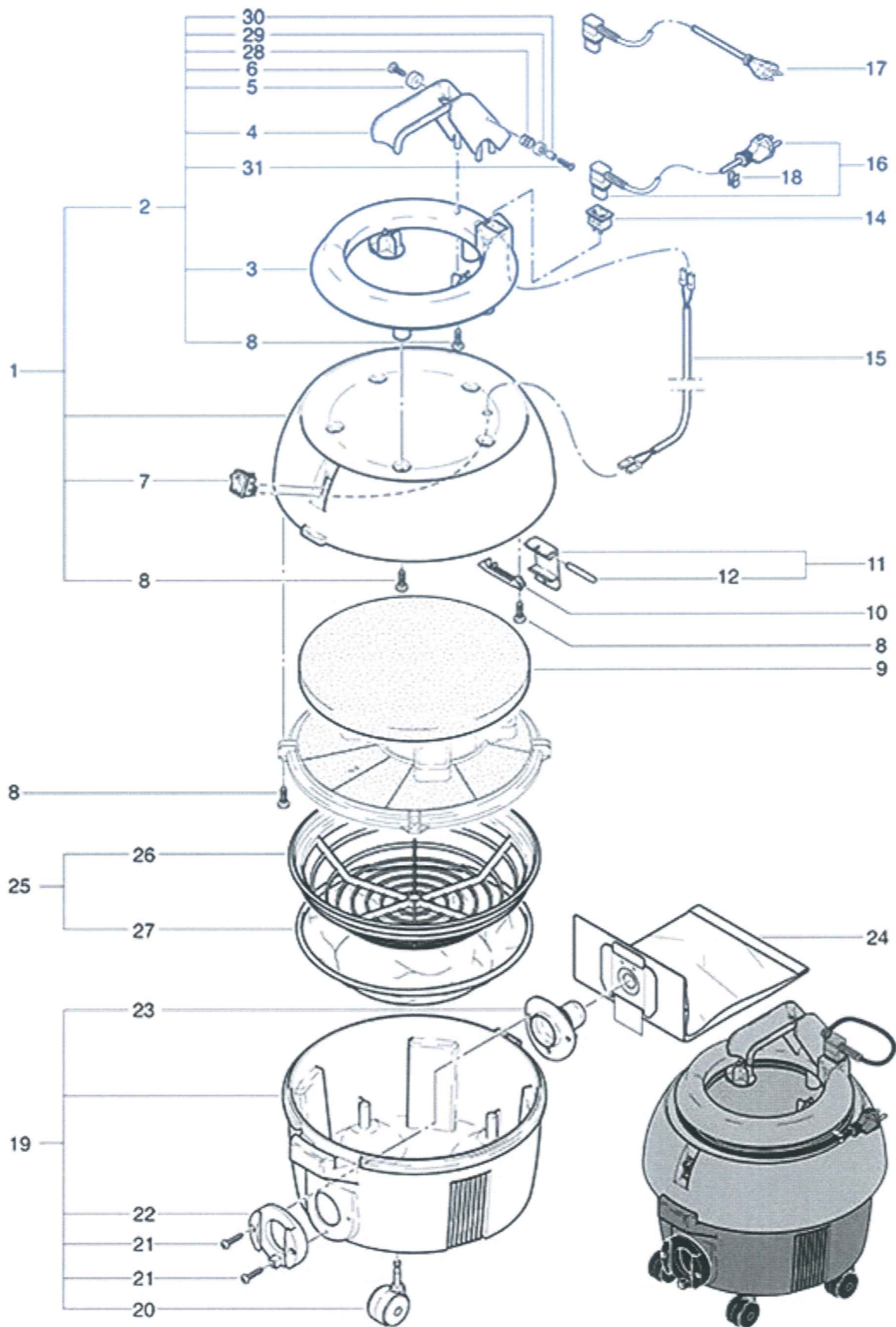
S 10 plus

Trockensauger
Vacuum cleaner
Aspirateur à poussière



**S 10 plus
Dome-Tank**

As at: 06/27/11 Time:12:12



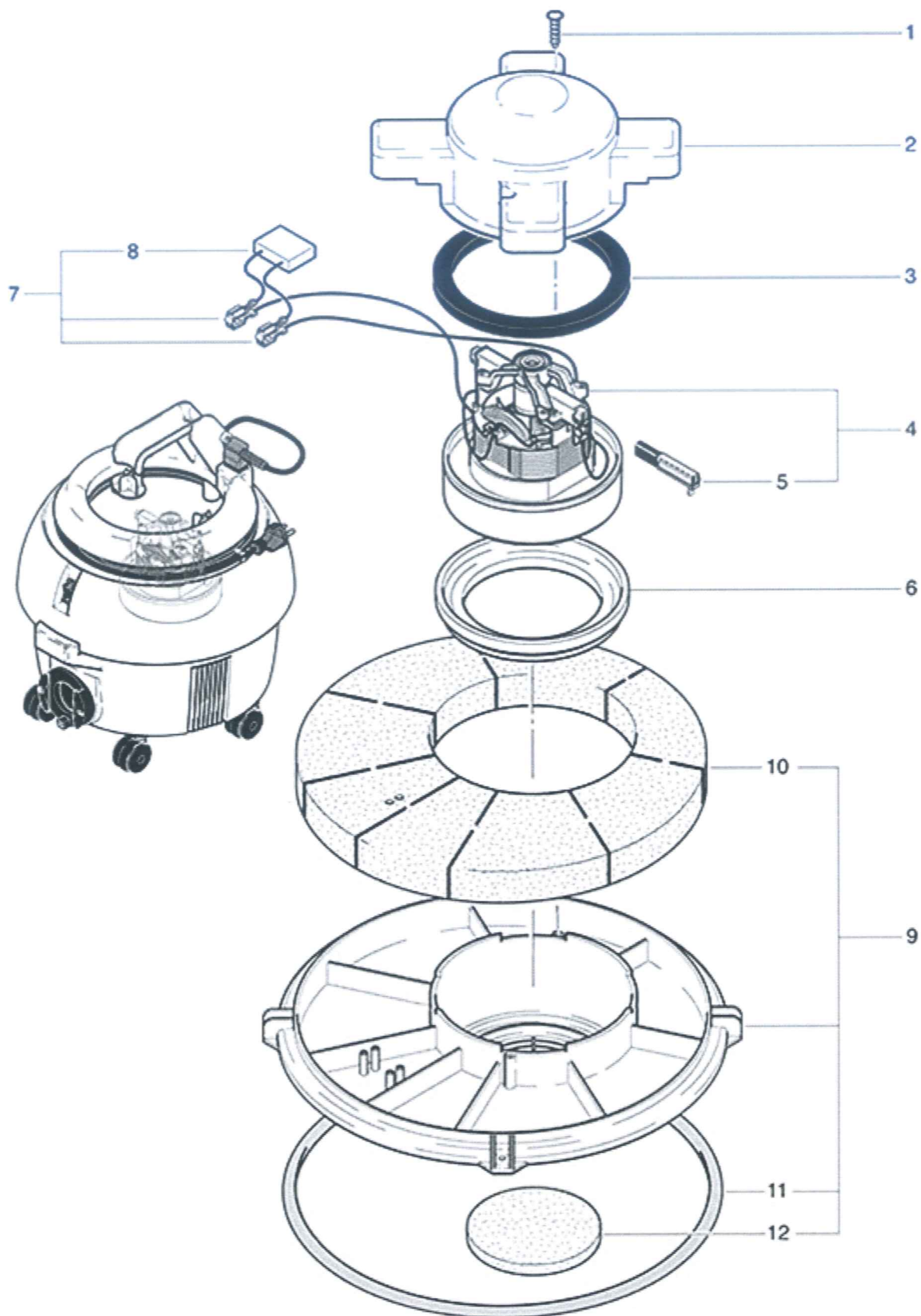
S 10 plus Dome-Tank

As at: 06/27/11 Time:12:12

| Pos. | Description | Reference |
|------|---|------------|
| 01 | Dome complete,including items 2,7+8 | 022.110 S |
| 02 | Handle compl.including items 3-6,8, 28-31 | 012.114 |
| 03 | Handle S 12 plus | 012.113 |
| 04 | Handle | 012.117 |
| 05 | Cable safety device rolls | 012.115 |
| 06 | PT screw KA 40x12 | P...516 P |
| 07 | Tumbler switch LED | P...240 F |
| 08 | PT screw KA 40x16 | P...516 G |
| 09 | Sound absorbing sheet | 022.116 |
| 10 | Pin hold | 022.114 |
| 11 | Seal lever compl. | 022.122 |
| 12 | Pin | 022.115 |
| 14 | Socket for external tools | 012.151 |
| 15 | Cable connection | 012.152 |
| 16 | Electrical connection VDE | 022.150 |
| 17 | Electrical connection SEV | 022.150 A |
| 18 | Cable clamp | P...278 |
| 19 | Tank complete,including items 20-23 | 012.200 |
| 20 | Swivel castor wheel Ø 50 mm | P...204 F |
| 21 | PT screw KA 50x30 | P...515 E |
| 22 | Tank connection | 4012234 |
| 23 | Saffle | 4012393 |
| 24 | Packet of 5 dustbags | 022.430 |
| 25 | Filter cartridge complete,including items 26+27 | 022.300 |
| 26 | Filter cartridge | 022.310 A |
| 27 | Filtercloth | 022.320 |
| 28 | | 022.163 |
| 29 | | 022.162 |
| 30 | | 022.161 |
| 31 | | P...517 BB |

S 10 plus
Vacuum motor

As at: 06/27/11 Time:12:13



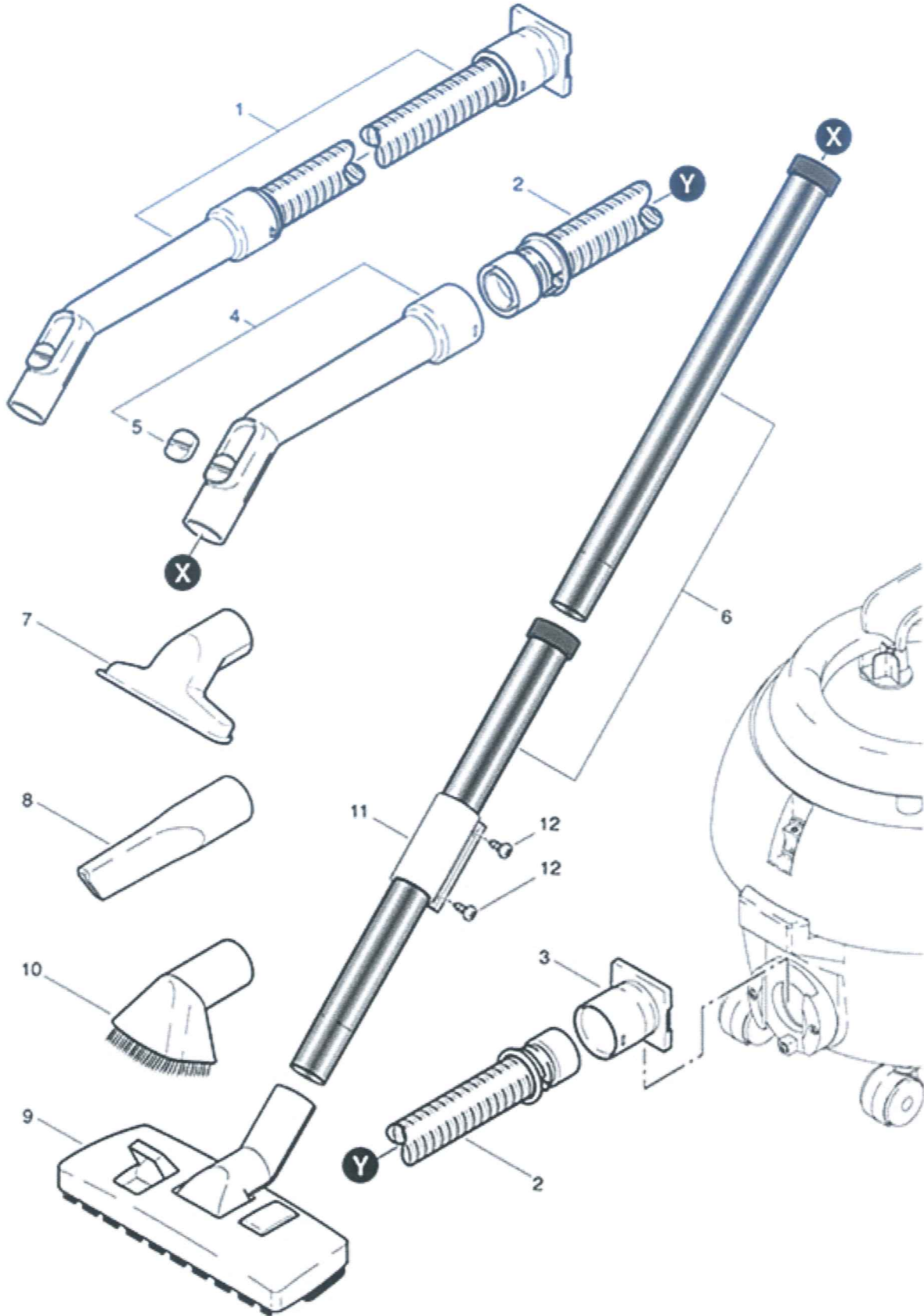
S 10 plus Vacuum motor

As at: 06/27/11 Time:12:13

| Pos. | Description | Reference |
|-------------|---------------------------|------------------|
| 01 | PT-screw KA 40x16 | P...516 C |
| 02 | Lower motor | 022.132 |
| 03 | Seal for motor | 022.133 |
| 04 | Vacuum motor | P...872 |
| 05 | Carbon brush | P...872 A |
| 06 | Profile | P...971 J |
| 07 | Cable tree with capacitor | 012.143 |
| 08 | Capacitor | P...393 E |
| 09 | Motorplate compl. | 022.130 |
| 10 | Noise absorber | 022.135 |
| 11 | Bucket gasket | 022.136 |
| 12 | Airfilter for motor | 022.134 |

S 10 plus
Suction set

As at: 06/27/11 Time:12:13



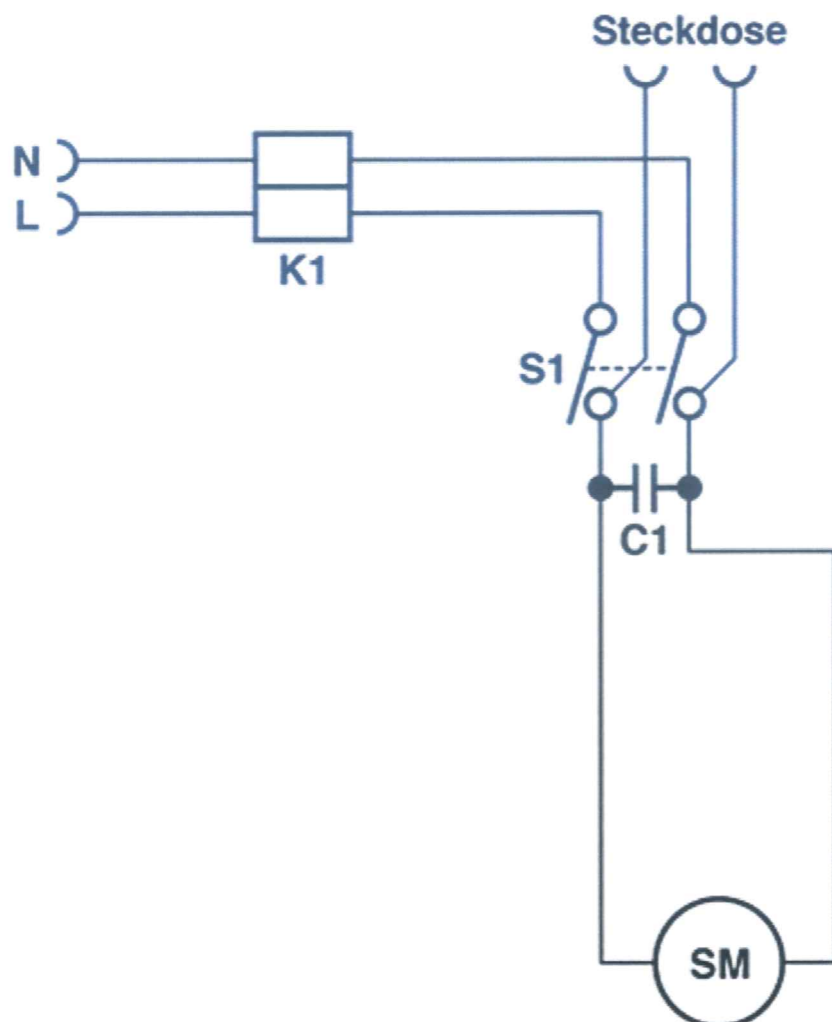
S 10 plus Suction set

As at: 06/27/11 Time:12:13

| Pos. | Description | Reference |
|-------------|---|------------------|
| 01 | Suction hose complete,including items 2-5 | 012.567 |
| 02 | Suction hose | 900.569 |
| 03 | Hose end connector | 012.570 |
| 04 | Toolhandle compl. | 900.670 |
| 05 | Slide | P...581 B |
| 06 | Stainless steal tube | 645.002 |
| 07 | Upholstery tool | 645.004 |
| 08 | Crevice tool | 645.006 |
| 09 | Carpet hardfloor tool | 645.103 |
| 10 | Dropery brush(Optional accessory) | 645.005 |
| 11 | Sliding clamp | 012.411 |
| 12 | PT-screw KA 40x8 | P...515 W |

S 10 plus Wiring diagram

As at: 06/27/11 Time:12:13



- K1 = Reihenklemme / Serre-fil / Cable clamp
- S1 = Wippenschalter / Interrupteur / Tumbler switch
- C1 = Kondensator 0.15 uF / Condensateur 0.15 uF / Capacitor 0.15 uF
- SM = Saugmotor / Moteur d'aspiration / Vacuum motor

S 10 plus

Wiring diagram

As at: 06/27/11 Time:12:13

| Pos. | Description | Reference |
|-------------|--------------------|------------------|
| C1 | Capacitor 0,15 uF | P...393 E |
| K1 | Terminal 3 poles | P...383 A |
| S1 | Tumbler switch LED | P...240 F |
| SM | Motor | P...872 |